

# Temperature Technology Ltd.



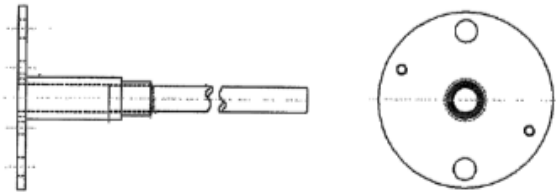
## EXD EXPLOSION PROOF TERMINAL HEAD

### XD Type

EN60079-1



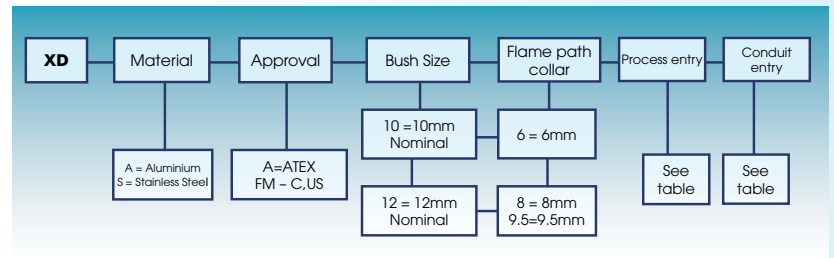
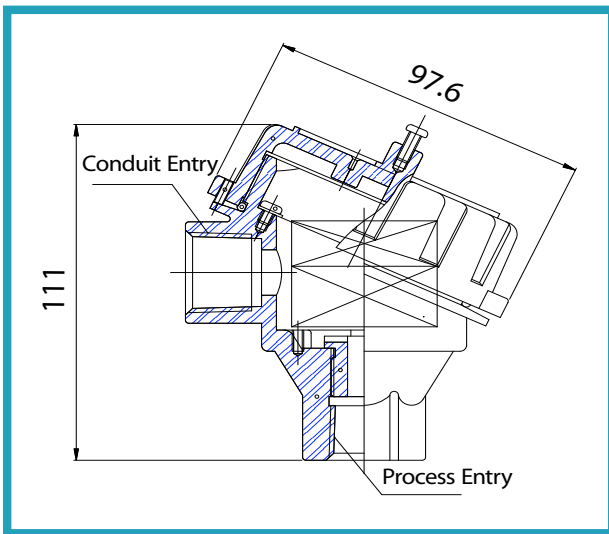
Supplied with bush and flame path collar.



XDS - Stainless Steel



XDA - Aluminium  
Epoxy paint RAL5005



### Eg. XDS-F-12-9.5-M24-M20

XD head - Stainless Steel, F = FM - C, US approved, 12mm nominal bush, 9.5mm flame path collar, M24 process entry x M20 conduit entry.

Process Entry	Code	Conduit Entry	Code
M20 x 1.5	M20	M20 x 1.5	M20
M24 x 1.5	M24	M24 x 1.5	M24
M25 x 1.5	M25	M25 x 1.5	M25
1/2" NPT	12NPT	1/2" NPT	12NPT
1/2" BSPP	12BSP	1/2" BSPP	12BSP
1/2" BSPT	12BST	1/2" BSPT	12BST
3/4" NPT	34NPT	3/4" NPT	34NPT
3/4" BSPP	34BSP	3/4" BSPP	34BSP
3/4" BSPT	34BST	3/4" BSPT	34BST
1" NPT	1NPT	PG16	PG16
1" BSPP	1BSP		
1" BSPT	1BST		

