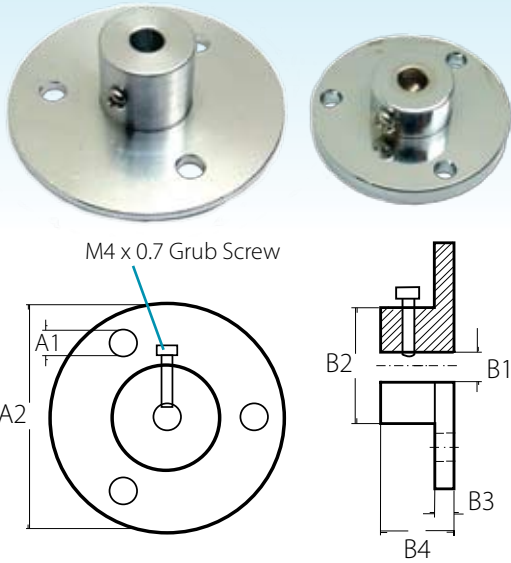


FLANGES

Aluminium / Plated Brass Flanges



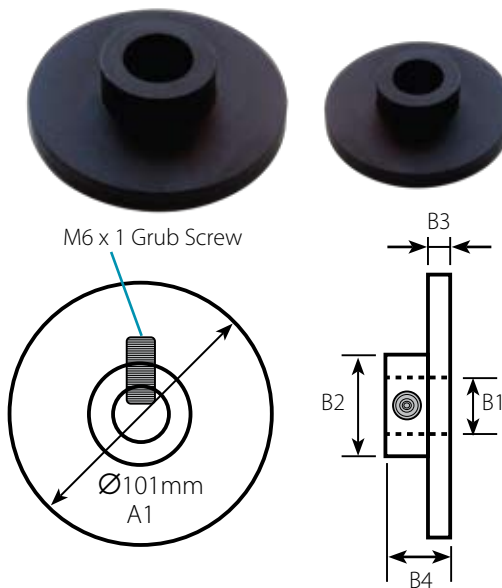
Product Code	Material	A1	A2	B1	B2	B3	B4	Price Sterling	Price Euros
AF-1	Aluminium	7.0	75.0	8.0	25.0	3.0	25.0	£4.20	€5.46
AF-2	Aluminium	4.6	50.0	6.6	20.0	5.2	15.5	£3.00	€3.90
AF-2-NPB	NPB	4.6	50.0	6.6	20.0	5.2	15.5	£1.95	€2.54
AF-3	Aluminium	N/A	76.8	17.8	41.0	6.5	20.0	£3.25	€4.22
AF-6	Aluminium	6.1	63	17.5	28	5.5	18.5	£3.60	€4.68

NPB = Nickel Plated Brass.

Conversion Table

Inches	1/16"	1/8"	3/16"	1/4"	5/16"	3/8"	7/16"	1/2"	5/8"	3/4"	1"
mm	1.59	3.18	4.76	6.35	7.94	9.53	11.11	12.70	15.88	19.05	25.4

Mild Steel Flange Black Powder Coated



Product Code	Material	A1	B1	B2	B3	B4	Price Sterling	Price Euros
AF-5-58	MS	101	16	44.5	8.5	24.5	£6.50	€8.45
AF-5-1	MS	101	25.5	44.5	8.5	24.5	£6.50	€8.45
AF-5-12	MS	101	12.8	44.5	8.5	24.5	£6.50	€8.45
AF-5-22	MS	101	22	44.5	8.5	24.5	£6.50	€8.45
AF-5-27	MS	101	27	44.5	8.5	24.5	£6.50	€8.45

Please Note

Discounts can be given off all list prices dependent upon quantity.

All list prices are subject to change.
Check website for up to date information

www.temperaturetechnology.com

FLANGES CAN BE MADE TO YOUR REQUIREMENTS



DIN B.S. & UNI Flanges

Size	DN 10 to DN 800
Pressure Rating	PN6 to PN64
Material	1.4404, 1.4307, 1.4571, 1.4541, 1.4462, 1.4306
Standards	EN 1092-1, BS 4504, UN 2278 etc.
Type	SORF, WNRF, BLRF, SWRF, Threaded etc

Contact our sales team for more information:

Email: sales@temperaturetechnology.com

Tel: +44 (0)118 9730739

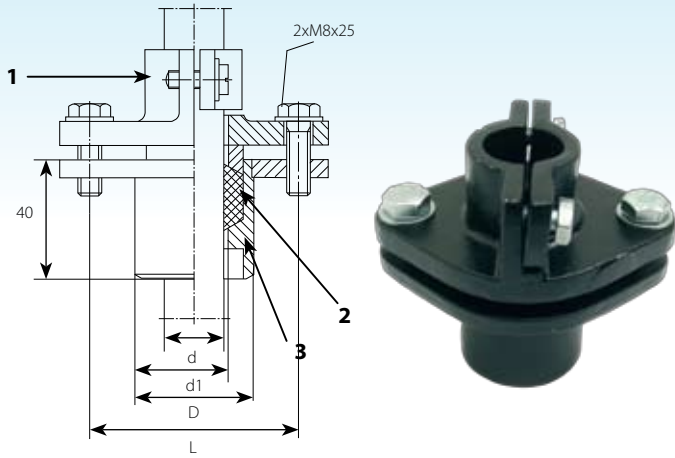


ANSI Flanges

Size	1/2" to 54"
Pressure Rating	150#, 300#, 600#, 1500#, 2500#
Material	Carbon Steel: A-105, A-350, LF2
	Alloy Steel: F-5, F-9, F-11, F-22, F-91
	Stainless Steel: SS 304, SS 304L, SS 316, SS 316L, SS 316 Ti, SS 321, SS 347, SS 304H, SS 317L
	Duplex SS: F-51, F-55
	High Strength Steel: A694 Gr 52, 60, 65, 70, AISI 4130, 4140
	Nickel Alloys: Monel 400, Inconel 625, Inconel 825, Alloy 20
Standards	ASME B 16.5, ASME B 16.47, API 6A

MOUNTING BRACKETS

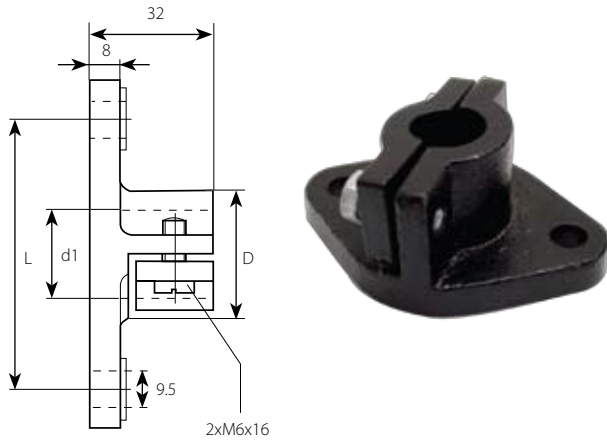
Mounting Bracket Type 1



Part No.	Diameter of clamping pipe d (mm)	Dimension			Price Sterling	Price Euros
		d1	D	L		
MB1-15	15	16	35	55	£7.00	€9.10
MB1-22	22	23	40	70	£7.00	€9.10
MB1-32	32	33	50	70	£7.00	€9.10

1. Cast steel, black powder lacquer coating.
2. Steel 1.0401, black powder lacquer coating.
3. PTFE packing cord.
300°C Max Temperature.

Mounting Bracket Type 2



Part No.	Diameter of clamping pipe d (mm)	Dimension			Price Sterling	Price Euros
		d1	D	L		
MB2-15	15	16	27	55	£3.00	€3.90
MB2-22	22	23	33	70	£3.00	€3.90
MB2-32	32	33	39	70	£3.50	€4.55

- Cast steel, black powder lacquer coating.
300°C Max Temperature.

WALL MOUNTS FOR PRESSURE GAUGES

Holders to Mount Pressure Gauges.



Stainless Steel 100mm Powder Coated 160mm Powder Coated 100mm Powder Coated 60mm

Part No.	Description	Length	Price Sterling	Price Euros
PGH-AL-60	Pressure gauge holder powder coated Aluminium	60mm	£2.75	€3.58
PGH-AL-100	Pressure gauge holder powder coated Aluminium	100mm	£3.50	€4.55
PGH-AL-160	Pressure gauge holder powder coated Aluminium	160mm	£5.50	€7.15
PGH-SS-60	Pressure gauge holder SS 316	60mm	£4.00	€5.20
PGH-SS-100	Pressure gauge holder SS 316	100mm	£5.00	€6.50
PGH-SS-160	Pressure gauge holder SS 316	160mm	£6.00	€7.80



Pressure Gauge cases also available

Please Note: All list prices are subject to change.
Check website www.temperaturetechnology.com for up to date information