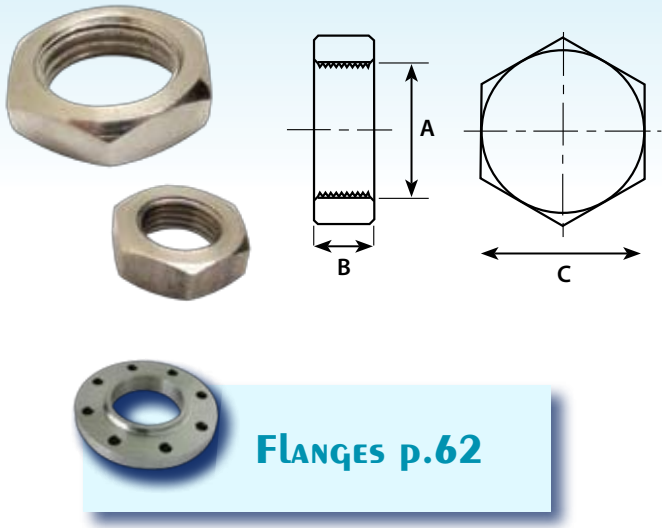


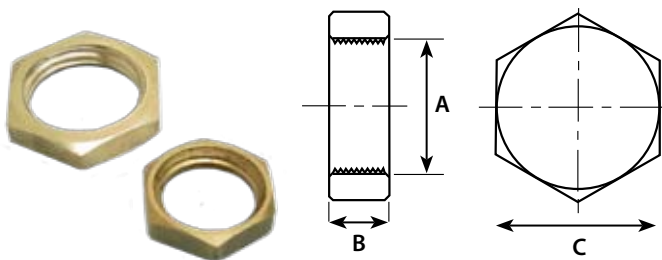
Lock Nuts

SS316 Lock Nuts



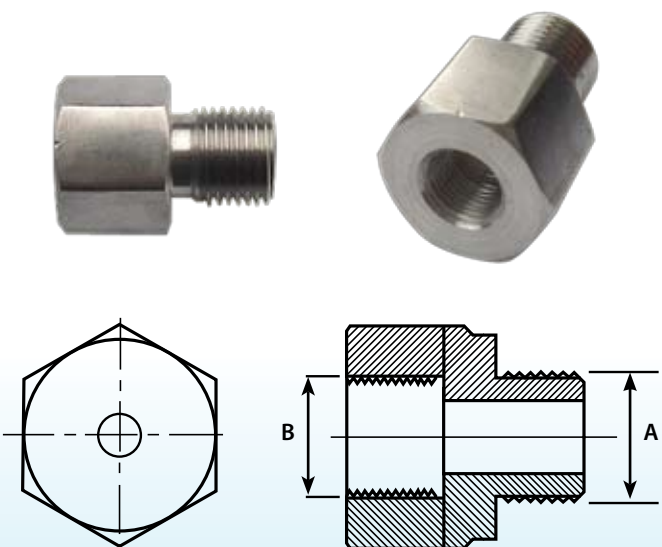
Part No.	Thread (A)	Thickness (B)	A/F (C)	Price Sterling	Price Euros
Imperial thread					
FS18P-LN	1/8" BSP	5mm	19mm	£0.80	€1.04
FS14P-LN	1/4" BSP	6mm	20mm	£1.10	€1.43
FS12P-LN	1/2" BSP	5mm	25mm	£1.50	€1.95
FS34P-LN	3/4" BSP	5mm	30mm	£1.70	€2.21
Metric thread					
FSM8-LN	M8x1.0	2.5mm	11mm	£0.50	€0.65
FSM8-LN-14	M8x1.0	5mm	19mm	£0.60	€0.78
FSM10-LN	M10x1.0	4.5mm	14mm	£0.60	€0.78
FSM12-LN-45	M12x1.5	4.5mm	20mm	£0.80	€1.04
FSM12-LN-6	M12x1.5	6mm	20mm	£0.90	€1.17
FSM16-LN	M16x1.5	4mm	20mm	£1.00	€1.30
FSM16-LN-S	M16x1.5	6mm	22mm	£1.10	€1.43
FSM20-LN	M20x1.5	3.5mm	24mm	£1.15	€1.50
FSM20-LN-S	M20x1.5	7mm	24mm	£1.25	€1.63
FSM24-LN	M24x1.5	6.5mm	28mm	£1.70	€2.21

Brass Lock Nuts



Part No.	Thread (A)	Thickness (B)	A/F (C)	Price Sterling	Price Euros
Imperial thread					
FLB-18	1/8" BSP	4mm	13mm	£0.35	€0.46
FLB-14	1/4" BSP	4mm	20mm	£0.35	€0.46
FLB-12	1/2" BSP	5mm	25mm	£0.60	€0.78
Metric thread					
FLB-16	M16x1.5	6.35mm	22mm	£0.50	€0.65
FLB-16-4	M16x1.5	4mm	22mm	£0.50	€0.65
FLB-M20	M20x1.5	6.5mm	25mm	£0.80	€1.04

SS Reducers / Converters



Part No.	Male Thread (A)	Female Thread (B)	Price Sterling	Price Euro
FSR-14P-M-18P-F	1/4" BSPP	1/8" BSPP	£2.50	€3.25
FSR-38P-M-14P-F	3/8" BSPP	1/4" BSPP	£3.25	€4.23
FSR-38P-M-12P-F	3/8" BSPP	1/2" BSPP	£3.25	€4.23
FSR-12P-M-14P-F	1/2" BSPP	1/4" BSPP	£4.50	€5.85
FSR-12P-M-38P-F	1/2" BSPP	3/8" BSPP	£4.50	€5.85
FSR-12P-M-12P-F	1/2" BSPP	1/2" BSPP	£4.50	€5.85
FSR-12NPT-M-14P-F	1/2" NPT	1/4" BSPP	£4.50	€5.85
FSR-12NPT-M-38NPT-F	1/2" NPT	3/8" NPT	£5.95	€7.74
FSR-12T-M-38T-F	1/2" BSPT	3/8" BSPT	£4.50	€5.85
FSR-34P-M-12P-F	3/4" BSPP	1/2" BSPP	£5.95	€7.74
FSR-1P-M-14P-F	1" BSPP	1/4" BSPP	£8.00	€10.40
FSR-1P-M-12P-F	1" BSPP	1/2" BSPP	£8.00	€10.40
FSR-M20-M-12P-F	M20 x 1.5	1/2" BSPP	£5.95	€7.74
FSR-M24-M-12P-F	M24 x 1.5	1/2" BSPP	£5.95	€7.74